



OUTDOOR LIGHTING CHECKLIST

LIGHTING PLAN GUIDE

Cottonwood Heights City has adopted outdoor lighting standards through approval of Ordinance 331. Although some lighting is important for nighttime safety, inappropriate lighting can result in light trespass, decreased safety through glare, poor lighting color, poor energy conservation, adverse ecosystem impacts, and decreased enjoyment of the natural world. These updated standards aim to improve enjoyment of private property, increase the health and safety of residents, improve nighttime ambiance and aesthetics, conserve natural resources, and reduce negative effects on ecosystems.

Reminder: This is meant to be a helpful guide, not a comprehensive list

Design Standards

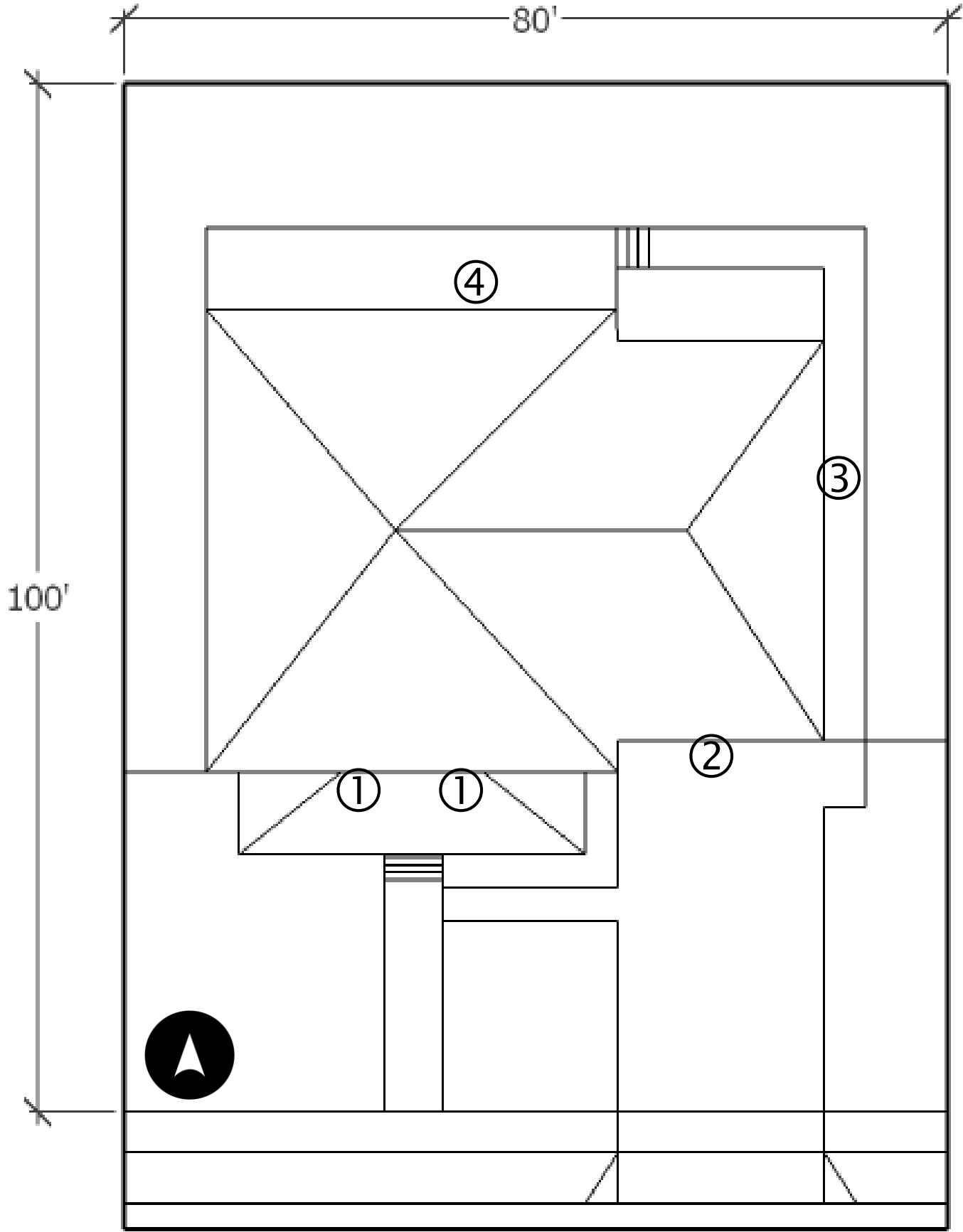
Any new outdoor lighting, additions to buildings, or fixture replacement shall comply with the updated design standards, including:

- All outdoor light fixtures that house lamps radiating more than 500 lumens shall be full cutoff and oriented as intended per manufacturing instructions.
- Except for down-lighting within soffits, light fixtures shall not exceed 12 feet in height.
- Total site illumination shall not exceed 21,780 lumens per net acre for any single-family zone east of Wasatch Boulevard, and 43,560 lumens per net acre for any other single-family zone.
- Lamps shall not exceed 3,000 kelvin.
- Outdoor lighting should have controls that automatically extinguish lamps when daylight is available, and by 11:00 pm. Motion sensors are encouraged.
- Should any lamp or light fixture be altered after a permit has been issued, a change request must be submitted to assure compliance with these standards.
- At the city's discretion, the city's public safety departments or providers may review and provide feedback on lighting plans as part of the development review process. This review shall be administered by the city's development review committee (DRC).

Submittal Requirements

Please submit a lighting plan that includes the following:

1. A site plan indicating the location of all light fixtures, both proposed and any already existing on the site.
2. Information on each fixture, including the product name, quantity, proposed height, lumens, and kelvins.
3. A photo of the fixture with specification information (this is often found in the form of a manufacturer's "cutsheet" or "spec sheet")



Total Lumen Output Worksheet

Lot Size	Lumen/acre	Total Site Lumen Allowed
8,000 sq. ft.	43,560	8,000

Fixture Type

	Product	Qty	Fixture Height	Ttl Lamp Lumens	Lamp Kelvins
①	Residence Collection 1-Light 9.2 in. Outdoor Textured Black LED Wall Lantern	2	10 feet	500 (35 W)	2901
②	Kichler 15494AZT 3" Downlight with Long Cowl for MR16 Lamps	2	12 feet	825 (GE 50W 12V MR16 Halogen Wide Flood Bulb)	3000
③	Lavardin Dualux® Outdoor Barn Light with Motion Sensor	1	8 feet	1500 (120 W)	2700
④	Lavardin Dualux® Outdoor Barn Light with Motion Sensor	1	10 feet	1500 (120 W)	2700
				Total: 5650	

Automatic Shut-off Controls



60-Watt Equivalent A19 Dusk To Dawn Automatic On/Off Energy Saving LED Light Bulb Soft White (2700K) (4-Pack)



Light Switch, 7 Day, Programmable
 HONEYWELL | Zoro #: G7535075 | Mfr #: RPLS530A1038/U
 ★★★★★ No Reviews | Write the First Review

Details:
 Item:
 Country of Origin (subject to change): China
[View Full Product Details](#)

Orders over \$50.00 ship **FREE**. Details.
 Standard ground shipping.
Limited Stock 🟢
 Item ships from Zoro in 1 business day.

P1

Project ID: ZTA-18-002
 Drawn By: MJT
 Date: 2019_09_11

- Notes**
- Not to Scale
 - Concept only. Compliance with all City standards has not been drawn or verified, i.e. parking, landscaping, etc.

COTTONWOOD HEIGHTS CITY COMMUNITY DEVELOPMENT DEPARTMENT
R1-8 ZONE LIGHTING PLAN EXAMPLE

SITE ADDRESS
 Cottonwood Heights, Utah



Residence Collection 1-Light 9.2 in. Outdoor Textured Black LED Wall Lantern



Specifications

Dimensions

Product Depth (in.)	6.875	Product Width (in.)	6 in
Product Height (in.)	9.1875		

Details

Actual Color Temperature (K)	3000	Lumens	623
Color Rendering Index (CRI)	90	Number of Lights	1 Light
Color Temperature	Warm White	Outdoor Lighting Features	Weather Resistant
Compatible Bulb Type	LED	Package Quantity	1
Exterior Lighting Product Type	Outdoor Lanterns	Power Type	Hardwired
Fixture Color/Finish	Black	Product Size	Medium
Fixture Material	Aluminum	Product Weight (lb.)	3.174624lb
Glass/Lens Type	Frosted	Returnable	90-Day
Included	Hardware Included	Sconce Type	Wall Lantern
Light Bulb Type Included	Integrated LED	Voltage Type	Line Voltage
Light Direction	Down	Watt Equivalence	60

Warranty / Certifications

Certifications and Listings	1-UL Listed,CSA Listed,cUL Listed	Manufacturer Warranty	5-year limited warranty
-----------------------------	-----------------------------------	-----------------------	-------------------------

S1

Project ID: ZTA-18-002

Drawn By: MJT

Date: 2019_04_17

Notes

- Not to Scale
- Concept only. Compliance with all City standards has not been drawn or verified, i.e. parking, landscaping, etc.

COTTONWOOD HEIGHTS CITY COMMUNITY DEVELOPMENT DEPARTMENT
R1-8 ZONE LIGHTING PLAN EXAMPLE

SITE ADDRESS
Cottonwood Heights, Utah

